

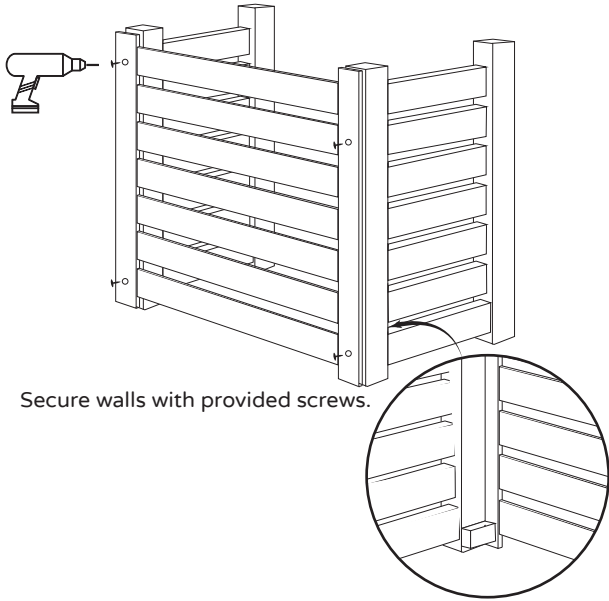
Chiller Cover Installation Instructions

PPS-2020

Tools (Not Included):
Drill

Parts Included:
Screw (8 pcs)
Allen wrench (1 pcs)
Rubber feet (4 pcs)

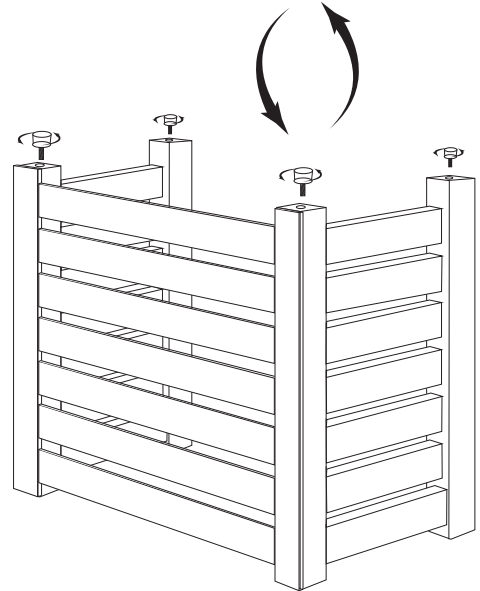
1



Secure walls with provided screws.

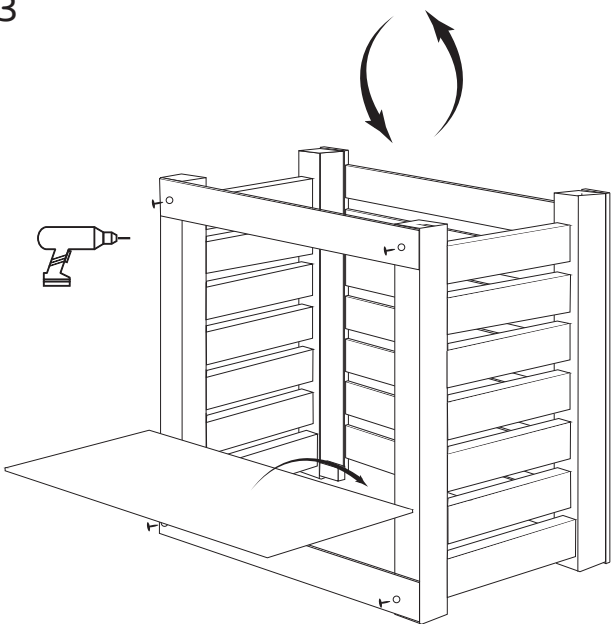
Make sure reinforced side is on the bottom

2



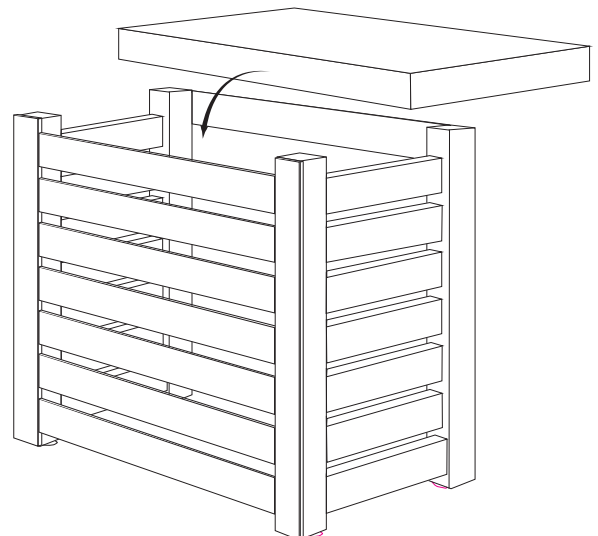
Flip the cover upside down and install provided rubber feet by screwing it into the base.

3



Flip the cover back to the correct position and screw the top and bottom wood for support. Add the bottom support where chiller will be placed.

4



Place top cover. Remove it to access the chiller.